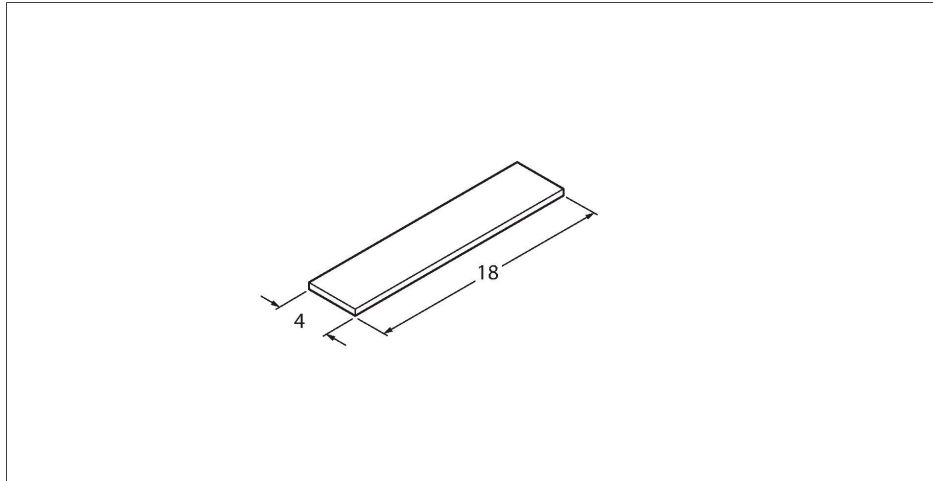


BLANK-LABEL-FOR-CORDSETS-TEL-TXL

Labels



Features

- Material: polycarbonate (PC)
- Color: white, similar to RAL 9016
- Label length: 18 mm
- Label height: 4 mm
- Halogen-free
- Flame-retardant (fire class V0)
- Temperature range: -40...+140 °C
- RoHS-compliant
- Single-line labeling (labeling technology: plotter, laser, ink jet, waterproof pen)
- Packaging unit: 57 pieces per sheet

Technical data

Type	BLANK-LABEL-FOR-CORDSETS-TEL-TXL
ID	6936206
Connector body	Plastic, PC, White
Ambient temperature range (In motion)	-40...+140 °C

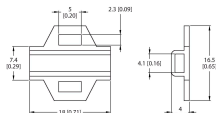
Accessories

LABEL-HOLDER-PVC 100048166



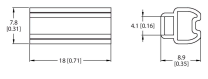
PVC label holder for identification of connection cables (TEL/TXL product series); for cable diameters: 4.0...6.5 mm; dimensions 4 × 18 mm; delivery unit: 50 pcs. per package

LABEL-HOLDER-FLEX-PVC 100048170



PVC label holder for identification of extension cables (TEL/TXL product series); for cable diameters: min. 5 mm; dimensions 4 × 18 mm; delivery unit: 50 pcs. per package

LABEL-HOLDER-PUR 100048168



Halogen-free PUR label holder for identification of connection cables (TXL product series); for cable diameters: 3.5...6.0 mm; dimensions 4 × 18 mm; delivery unit: 50 pcs. per package