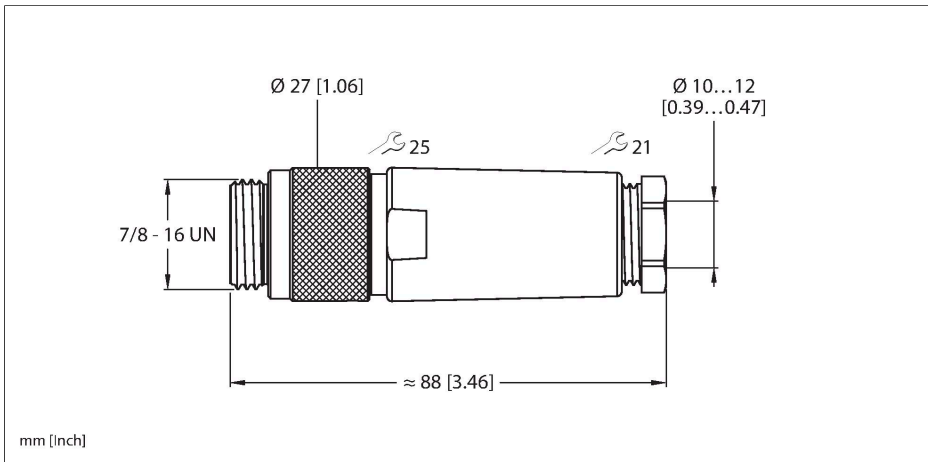


BS4141-0/13.5

7/8" Power

7/8" Male, Straight



Features



- Screw terminal connection
- 4-pin
- PG13.5 screw-in thread
- Cable feedthrough 10.0...12.0 mm

Contact assignment



Technical data

Type	BS4141-0/13.5
ID	6914510
Connector A	Male, 7/8"-16 UN, Straight
Number of Pins	4
Contacts	Metal, CuZn, Gold-plated
Contact carriers	Plastic, TPU, Black
Connector body	Plastic, PA, Black
Coupling nut/screw	Aluminum, Al, Anodized
Seal	Plastic, NBR
Screw-in thread seal	plastic, NBR
Screw-in thread	PG13.5
External diameter of the cable	10...12 mm
Core cross-section/Clamping ability	0.34...1.5 mm ²
Connection mode	Screw/clamp connection
Mechanical lifespan	> 100 Mating cycles
Pollution degree	3
Protection class	IP67, Only in screwed condition
Electrical properties at +20 °C	
Rated voltage	250 V
Current	9 A
forward resistance	≤ 5 mΩ
Mechanical and chemical properties	
Ambient temperature range (stationary)	-40...+90 °C
Ambient temperature range (In motion)	-40...+90 °C