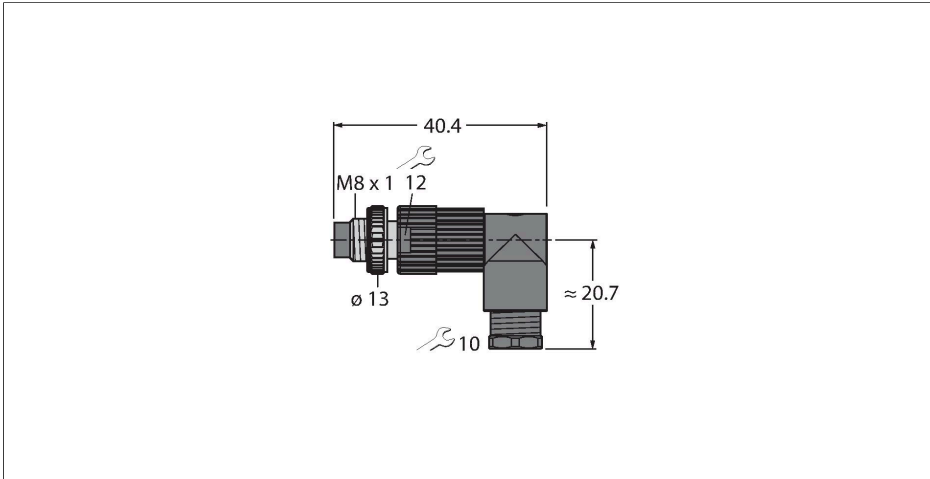


HS5241-0

Field-Wireable Connector

Male Connector M8 × 1/Ø 8 mm, Angled



Features



- Metal coupling nut
- Protection class IP67
- Penetration technology
- 4-pin
- M9.5 × 1 metric screw-in thread

Contact assignment



Technical data

Type	HS5241-0
ID	6902830
Connector A	Male, M8 × 1, Angled
Number of Pins	4
Contacts	CuZn, Gold-plated
Contact carriers	Plastic, PA, Black
Connector body	PA, Black
Coupling nut/screw	Zinc-Aluminum, ZnAl, Nickel-plated
Seal	Plastic, FPM/FKM
Screw-in thread	M9.5x1
External diameter of the cable	4...5 mm
Core cross-section/Clamping ability	0.14...0.34 mm ²
Connection mode	Pressfit technology
Protection class	IP67, (screwed together)
Electrical properties at +20 °C	
Rated voltage	50 V _{AC} /60 V _{DC}
Current	4 A
Insulation resistance	≥ 10 ⁸ Ω
forward resistance	≤ 5 mΩ
Mechanical and chemical properties	
Ambient temperature range (stationary)	-25...+70 °C