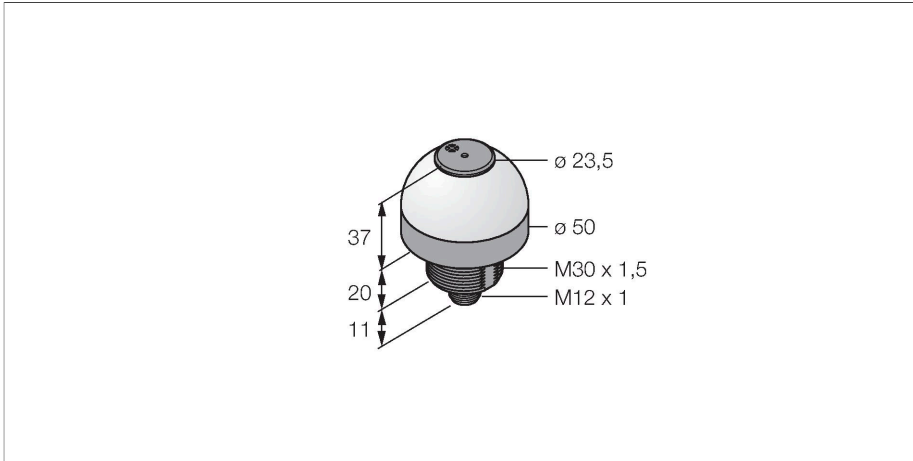


K50L2RGBKAL1Q

LED Indicator – Beacon with Audible Signal



Features

- LED all-round visible
- Continuous signal: 95dB
- Individually controllable
- Mechanical screw-in thread M30x1.5
- Protection class IP50
- Up to 12 predefined colors or millions of customized colors can be displayed
- Flashing function, alternation, two-colored displays and intensity check
- Male M12 x 1, 5-pin
- Operating voltage 18...30 VDC

Wiring diagram



Functional principle

The rugged and IP50 rated LED is qualified for industrial environments. Depending on the connection, one of the three colors lights steady for the duration of a PNP input signal.

Technical data

Type	K50L2RGBKAL1Q
ID	3802162
Signal and display data	
Purpose	LED indicator light
Function	Spotlight
Light type	RGB
Dimmable	Programmable
Features of color 1	RGB, Can be set via IO-Link
Acoustic signal	Key adjustable, 95 dB
Special features	Wash down
Electrical data	
Operating voltage	18...30 VDC
DC rated operational current	≤ 40 mA
Max. current consumption per color	150 mA
Max. current consumption of beeper	220 mA
Communication protocol	IO-Link
Input type	Communication protocol
Response time typical	< 30 ms
IO-Link	
IO-Link specification	V 1.1
Communication mode	COM 2 (38.4 kBaud)
Process data width	16 bit
Frame type	Type_2_2
Function pin 4	IO-Link
Maximum cable length	20 m
Included in the SIDI GSDML	Yes

Technical data

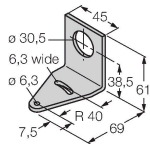
Mechanical data	
Cascadable	No
Design	Dome, K50L
Dimensions	Ø 50 x 68 mm
Housing material	Plastic, PC PC, Black
Window material	Polycarbonate, diffuse
Electrical connection	Connector, M12 × 1, PVC
Number of cores	4
Ambient temperature	-20...+50 °C
Relative humidity	0...90 %
Protection class	IP50
Tests/approvals	
Approvals	CE, UL listed

Accessories

SMB30A

3032723

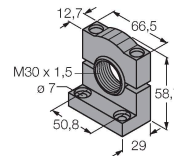
Mounting bracket, rectangular, stainless steel, for sensors with 30mm thread



SMB30SC

3052521

Mounting bracket, PBT black, for sensors with 30 mm thread, rotatable



Accessories

Dimension drawing	Type	ID	
	RKC4.4T-2/TEL	6625013	Connection cable, M12 female connector, straight, 4-pin, cable length: 2 m, jacket material: PVC, black; cULus approval
	WKC4.4T-2/TEL	6625025	Connection cable, M12 female connector, angled, 4-pin, cable length: 2 m, jacket material: PVC, black; cULus approval

Dimension drawing	Type	ID	
	RKC4.5T-2/TEL	6625016	Connection cable, M12 female connector, straight, 5-pin, cable length: 2 m, jacket material: PVC, black; cULus approval
	WKC4.5T-2/TEL	6625028	Connection cable, M12 female connector, angled, 5-pin, cable length: 2 m, jacket material: PVC, black; cULus approval