

Your Global Automation Partner

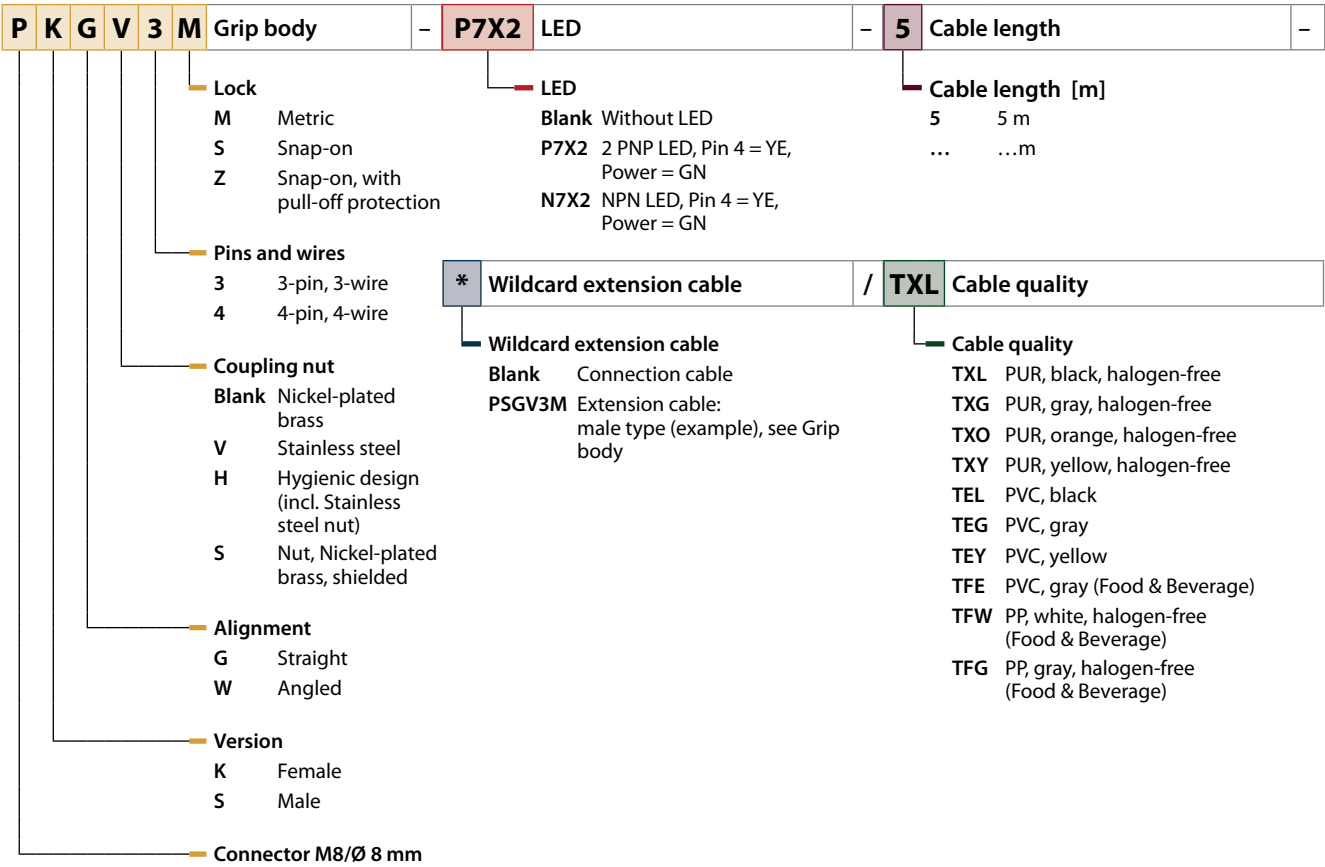
# TURCK



## Connectivity Type Codes

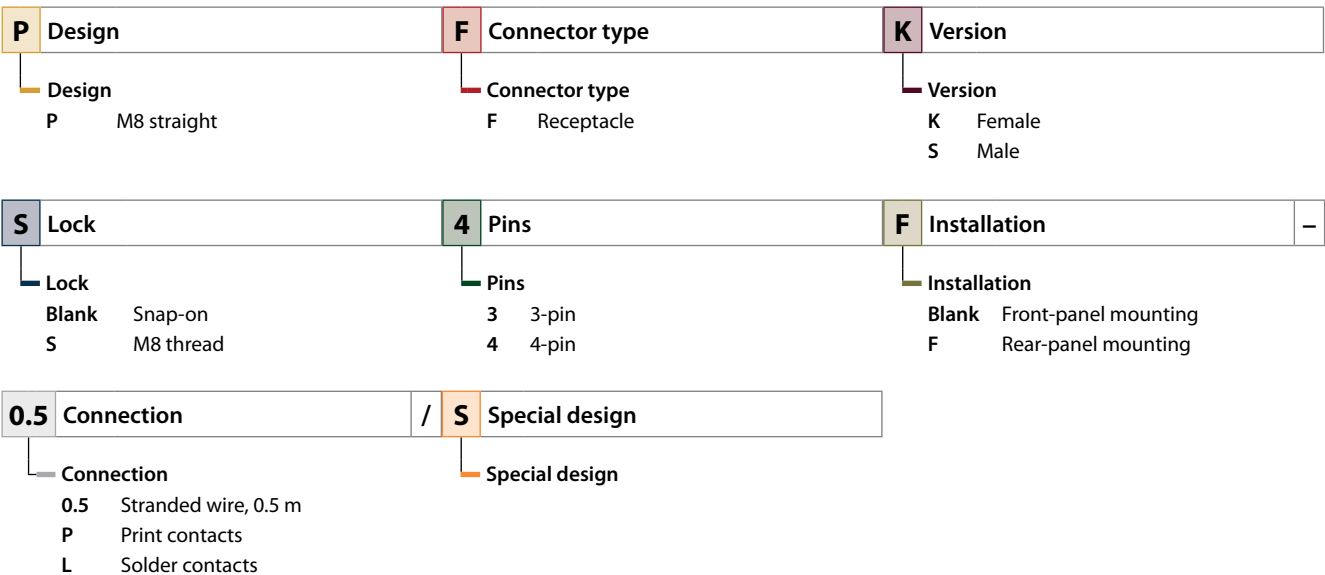
## M8 – Connection and Extension Cables

**P K G V 3 M - P7X2 - 5 - \* / TXL**



## M8 – Receptacles

**P F K S 4 F - 0.5 / S**



## M12 – Connection and Extension Cables

**R K C V 4 T - P7X2 - 5 - \* / TXL**

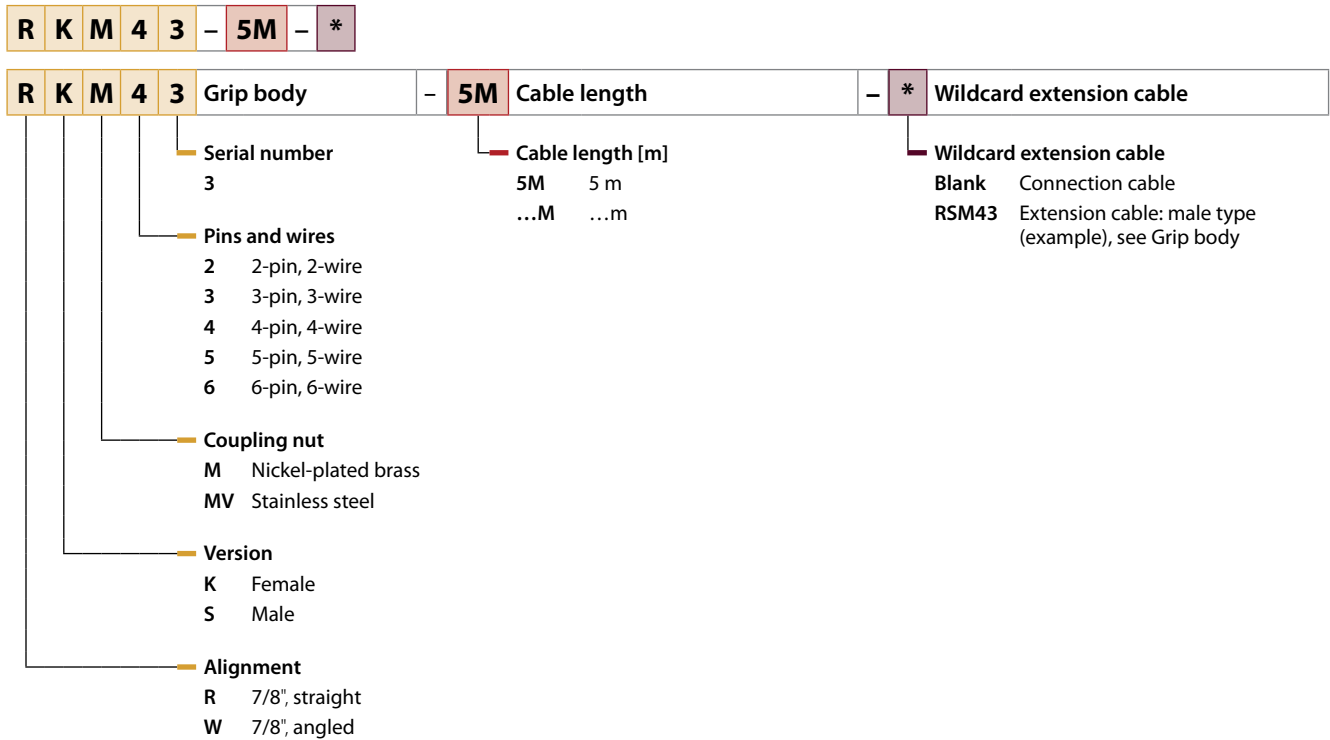
<b>R</b>	<b>K</b>	<b>C</b>	<b>V</b>	<b>4</b>	<b>T</b>	<b>Grip body</b>	-	<b>P7X2</b>	<b>LED</b>	-	<b>5</b>	<b>Cable length</b>	-
						<ul style="list-style-type: none"> <li>Version with anti-kink Sleeve           <ul style="list-style-type: none"> <li>T Sleeve</li> <li>Q Quick connect</li> </ul> </li> <li>Pins and wires           <ul style="list-style-type: none"> <li>4 4-pin, 3-wire</li> <li>4.4 4-pin, 4-wire</li> <li>4.5 5-pin, 5-wire Pin 5 = GY</li> <li>5 5-pin, 5-wire Pin 5 = GN/YE</li> </ul> </li> <li>Coupling nut           <ul style="list-style-type: none"> <li>Blank Nickel-plated brass</li> <li>V Stainless steel</li> </ul> </li> <li>Housing           <ul style="list-style-type: none"> <li>C Standard</li> <li>S Shield on coupling nut</li> <li>H Hygienic design (incl. Stainless steel nut)</li> </ul> </li> <li>Version           <ul style="list-style-type: none"> <li>K Female</li> <li>S Male</li> </ul> </li> <li>Connector           <ul style="list-style-type: none"> <li>R M12, straight</li> <li>W M12, angled</li> </ul> </li> </ul>	<ul style="list-style-type: none"> <li>LED           <ul style="list-style-type: none"> <li>Blank Without LED</li> <li>P7X2 2 PNP LED, Pin 4 = YE Power = GN</li> <li>P7X3 3 PNP LED, Pin 2 = YE, Pin 4 = YE, Power = GN</li> <li>P7X3.1 3 PNP LED, Pin 2 = RD, Pin 4 = YE, Power = GN</li> <li>P7X3.2 3 PNP LED, Pin 2 = WH, Pin 4 = YE, Power = GN</li> <li>N7X... NPN, LED, Number and Color analog P7X...</li> </ul> </li> </ul>		<ul style="list-style-type: none"> <li>Cable length [m]           <ul style="list-style-type: none"> <li>5 5 m</li> <li>... ...m</li> </ul> </li> </ul>				
						<b>*</b>	<b>Wildcard extension cable</b>	/	<b>TXL</b>	<b>Cable quality</b>			
						<ul style="list-style-type: none"> <li>Wildcard extension cable           <ul style="list-style-type: none"> <li>Blank Connection cable</li> <li>RSCV4T Extension cable: male type (example), see Grip body</li> </ul> </li> </ul>			<ul style="list-style-type: none"> <li>Cable quality           <ul style="list-style-type: none"> <li>TXB PUR, blue (NAMUR)</li> <li>TXL PUR, black, halogen-free</li> <li>TXG PUR, gray, halogen-free</li> <li>TXO PUR, orange, halogen-free</li> <li>TXY PUR, yellow, halogen-free</li> <li>TEB PVC, blue (NAMUR)</li> <li>TEL PVC, black</li> <li>TEG PVC, gray</li> <li>TEY PVC, yellow</li> <li>TFE PVC, gray (Food &amp; Beverage)</li> <li>TFG PP, gray, halogen-free (Food &amp; Beverage)</li> <li>TFW PP, white, halogen-free (Food &amp; Beverage)</li> </ul> </li> </ul>				

## M12 – Receptacles

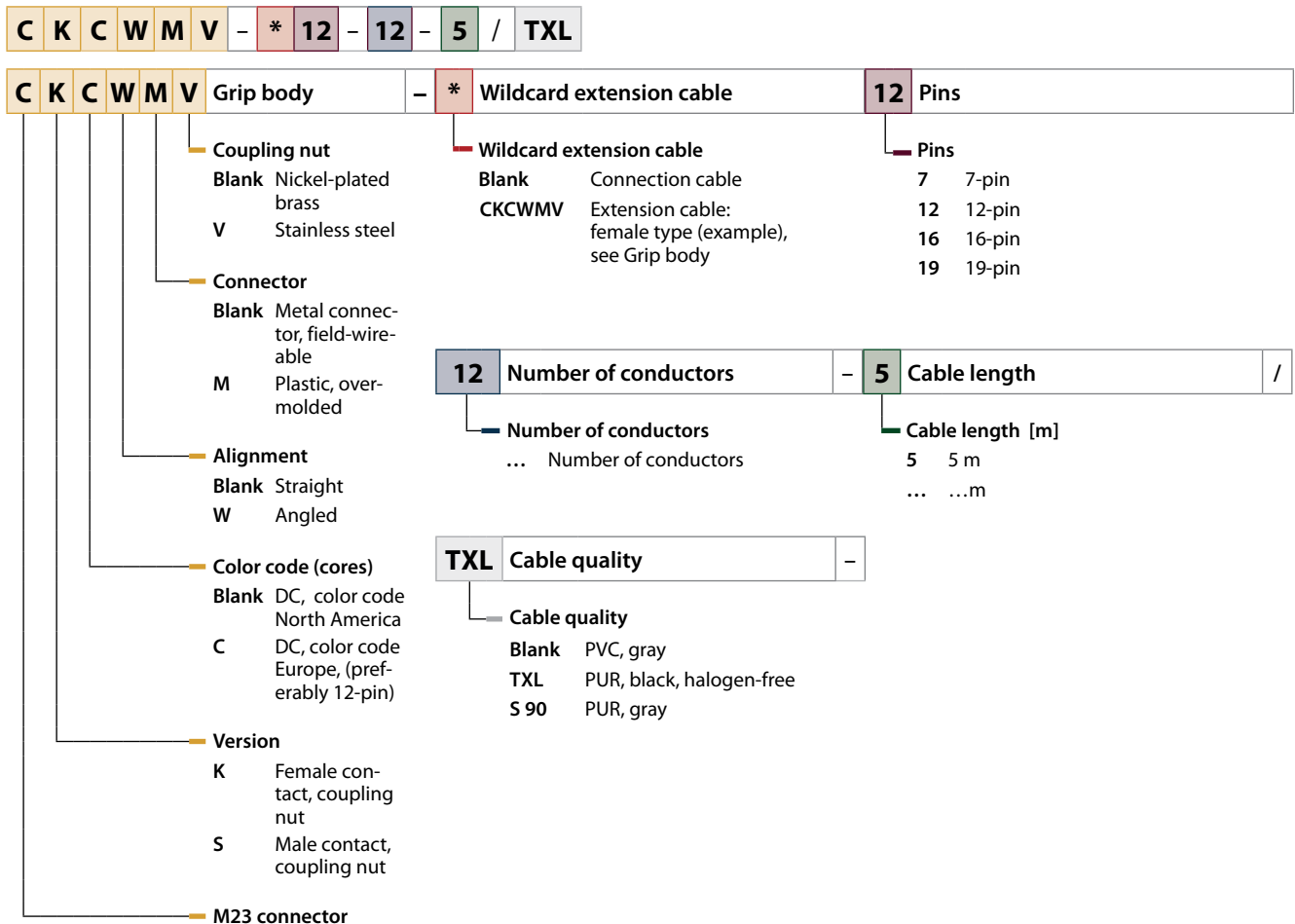
**EC - F K D H E 4 - \* / 16 / S**

<b>EC</b>	<b>Mounting thread</b>	-	<b>F</b>	<b>Connector type</b>	<b>K</b>	<b>Version</b>		
<ul style="list-style-type: none"> <li>Mounting thread           <ul style="list-style-type: none"> <li>EC Mounting thread, metric</li> <li>Blank Mounting thread PG</li> </ul> </li> </ul>		<ul style="list-style-type: none"> <li>Connector type           <ul style="list-style-type: none"> <li>F Receptacle</li> </ul> </li> </ul>		<ul style="list-style-type: none"> <li>Version           <ul style="list-style-type: none"> <li>K Female</li> <li>S Male</li> </ul> </li> </ul>				
<b>D</b>	<b>Alignment</b>	<b>H</b>	<b>Alignment</b>	<b>E</b>	<b>Housing/Coding</b>			
<ul style="list-style-type: none"> <li>Alignment           <ul style="list-style-type: none"> <li>D Rotatable</li> </ul> </li> </ul>		<ul style="list-style-type: none"> <li>Alignment           <ul style="list-style-type: none"> <li>H High adjustment with locknut</li> </ul> </li> </ul>		<ul style="list-style-type: none"> <li>Housing/Coding           <ul style="list-style-type: none"> <li>E Stainless steel</li> <li>W B-coded (PROFIBUS-DP)</li> </ul> </li> </ul>				
<b>4</b>	<b>Pins</b>	-	<b>*</b>	<b>Connection</b>	/	<b>16</b>	<b>Mounting thread</b>	/
<ul style="list-style-type: none"> <li>Pins           <ul style="list-style-type: none"> <li>3 3-pin</li> <li>4 4-pin</li> <li>5 5-pin</li> <li>8 8-pin</li> <li>12 12-pin</li> </ul> </li> </ul>		<ul style="list-style-type: none"> <li>Connection           <ul style="list-style-type: none"> <li>0.5 Stranded wire, 0.5 m</li> <li>L Solder contacts</li> <li>P Print contacts</li> </ul> </li> </ul>		<ul style="list-style-type: none"> <li>Mounting thread           <ul style="list-style-type: none"> <li>16 M16</li> <li>20 M20</li> <li>Blank PG9</li> <li>13.5 PG13.5</li> </ul> </li> </ul>				
<b>S</b>	<b>Special design</b>							
<ul style="list-style-type: none"> <li>Special design</li> </ul>								

## 7/8" – Connection and Extension Cables



## M23 – Connection and Extension Cables



Valve Connector

**V A S 22 - A 80E - 5 - \* / TXL**

<b>V</b> DIN 43650 valve connector	<b>A</b> Design	<b>S</b> Housing material
------------------------------------	-----------------	---------------------------

**DIN 43650 valve connector**

- T Cable outlet on PE
- V Cable outlet opposite to PE

**Design**

- A 27.5 × 27.5 mm; 18 mm contact gap
- B 21.5 × 28 mm; 10 mm contact gap
- I 21.5 × 28 mm; 11 mm contact gap
- C8 16 × 16 mm; 8 mm contact gap
- C9 16 × 16 mm; 9.4 mm contact gap

**Housing material**

- S TPU, black translucent

<b>22</b> Assignment	<b>A</b> Visualization/Wiring	<b>80E</b> Cable type
----------------------	-------------------------------	-----------------------

**Assignment**

- 02 2 contacts + PE
- 03 3 contacts + PE
- 04 3 contacts + PE for pressure switches
- 22 2 contacts + 2 PE bridged

**Visualization/Wiring**

- A no, no, 230 VAC/DC
- B LED yellow, without, 24...48 VAC/DC
- D LED yellow, Varistor, 24...48 VAC/DC
- E LED yellow, Varistor, 230 VAC/DC
- F LED yellow, diode, 24...48 VDC
- K LED green/red (pressure switch), 24 VDC
- L LED yellow, no, 24 VAC/DC
- M LED yellow, no, 48 VAC/DC
- P LED yellow, Varistor, 24 VAC/DC
- R LED yellow, Varistor, 48 VAC/DC
- S LED yellow, transil diode, 24 VAC/DC
- T LED yellow, Z-diode, 24 VAC/DC

**Cable type**

- W Molded connector
- 80E 3 × 0.75 mm<sup>2</sup>
- 81E 4 × 0.75 mm<sup>2</sup>

<b>5</b> Cable length	<b>*</b> Extension cable	<b>/ TXL</b> Cable quality
-----------------------	--------------------------	----------------------------

**Cable length [m]**

- 5 5 m
- ... ...m

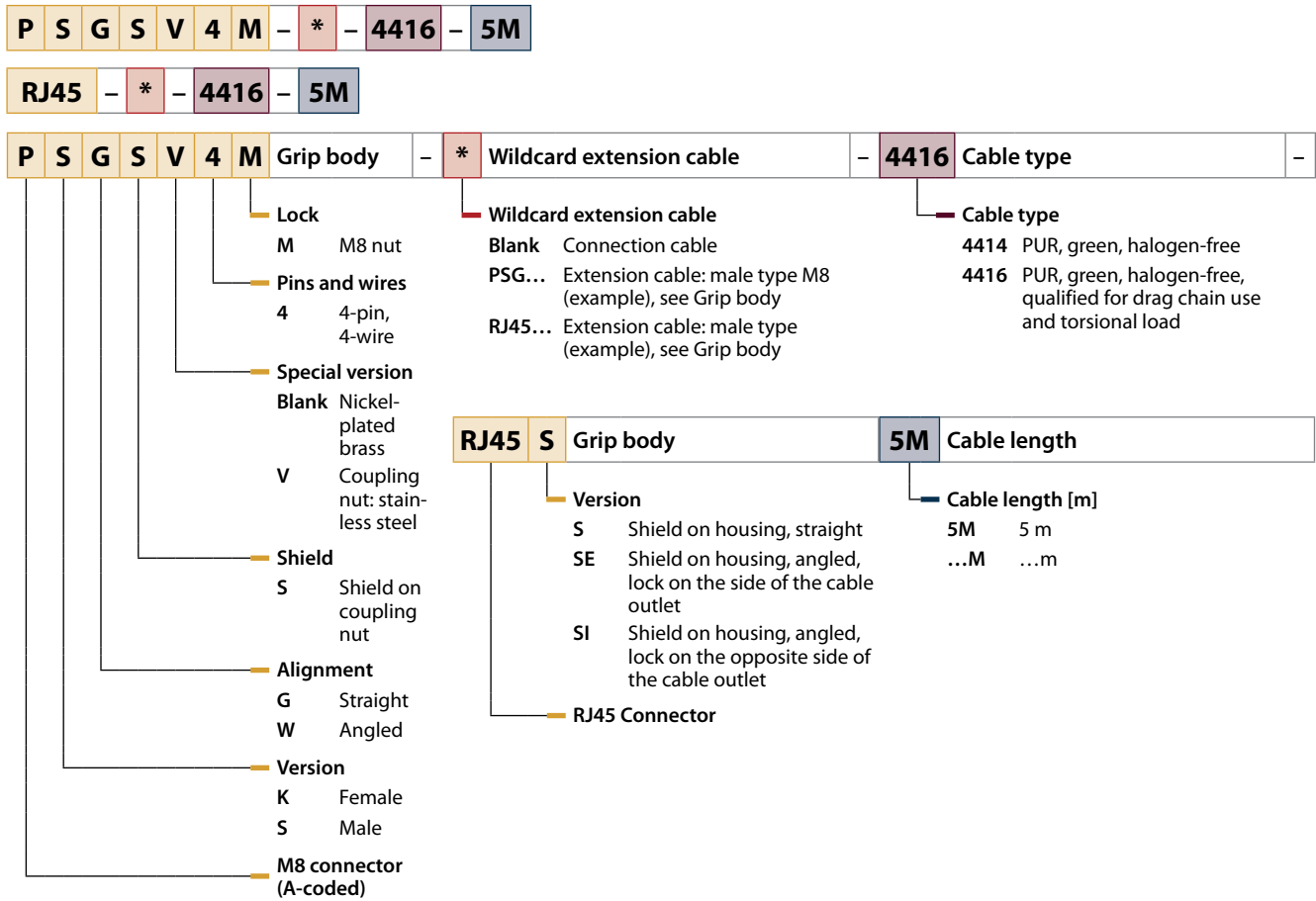
**Extension cable**

- RSC5T Extension cable: connector type/grip body (example)
- DAS... Valve connector on cordset only design type A, cable type 81E, cable length from valve connector 2

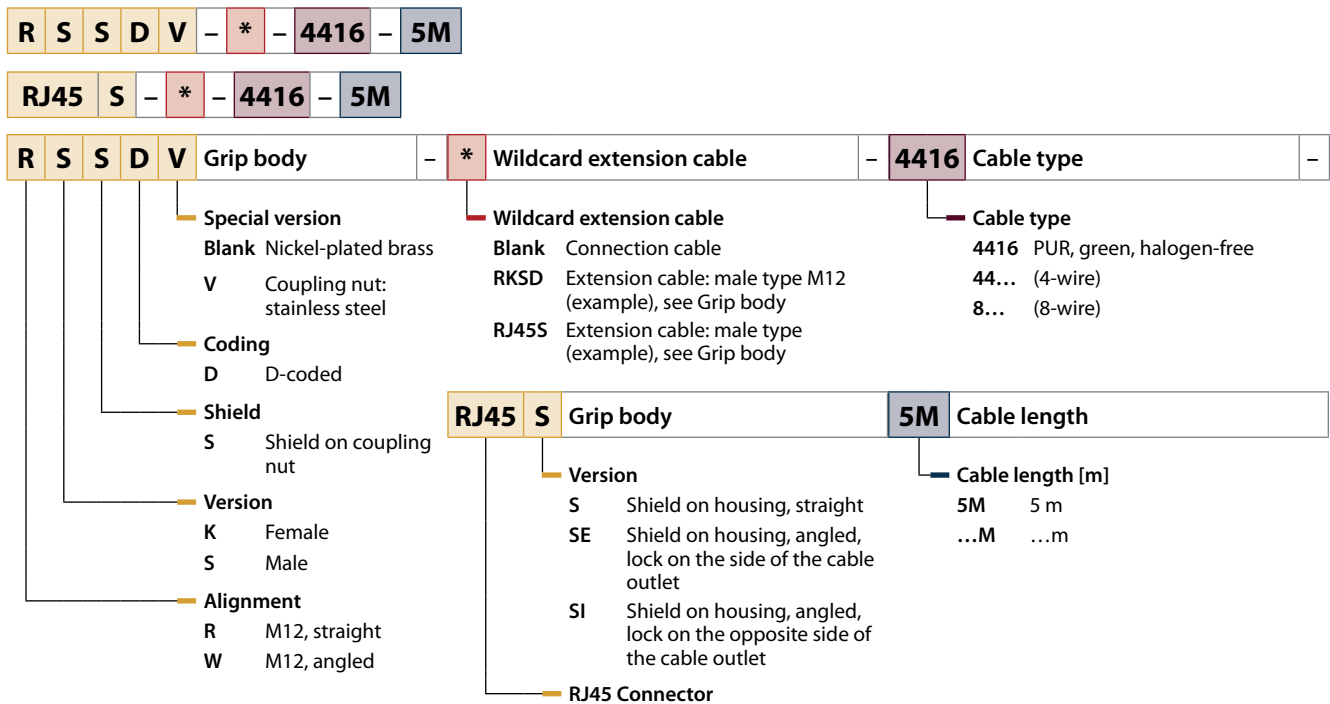
**Cable quality**

- TXL PUR, black, halogen-free
- TEG PVC, gray

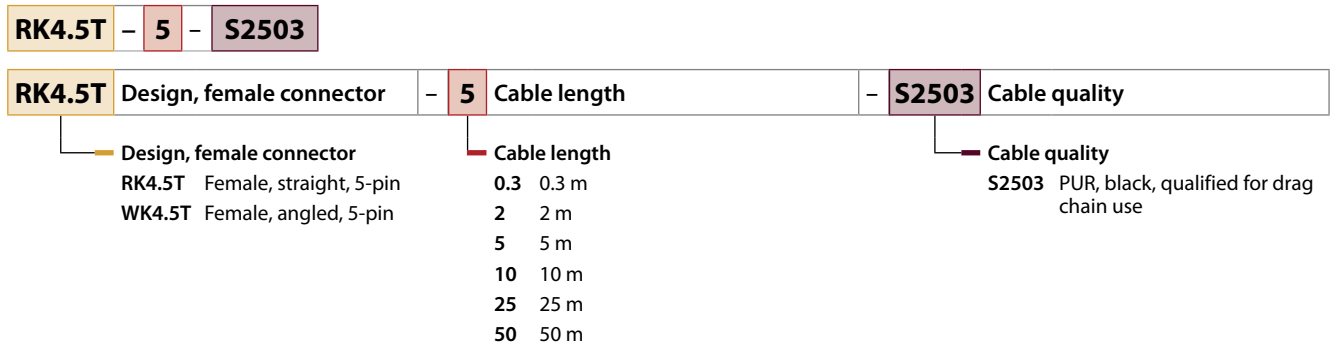
## Ethernet – M8 and RJ45 – Connection and Extension Cables



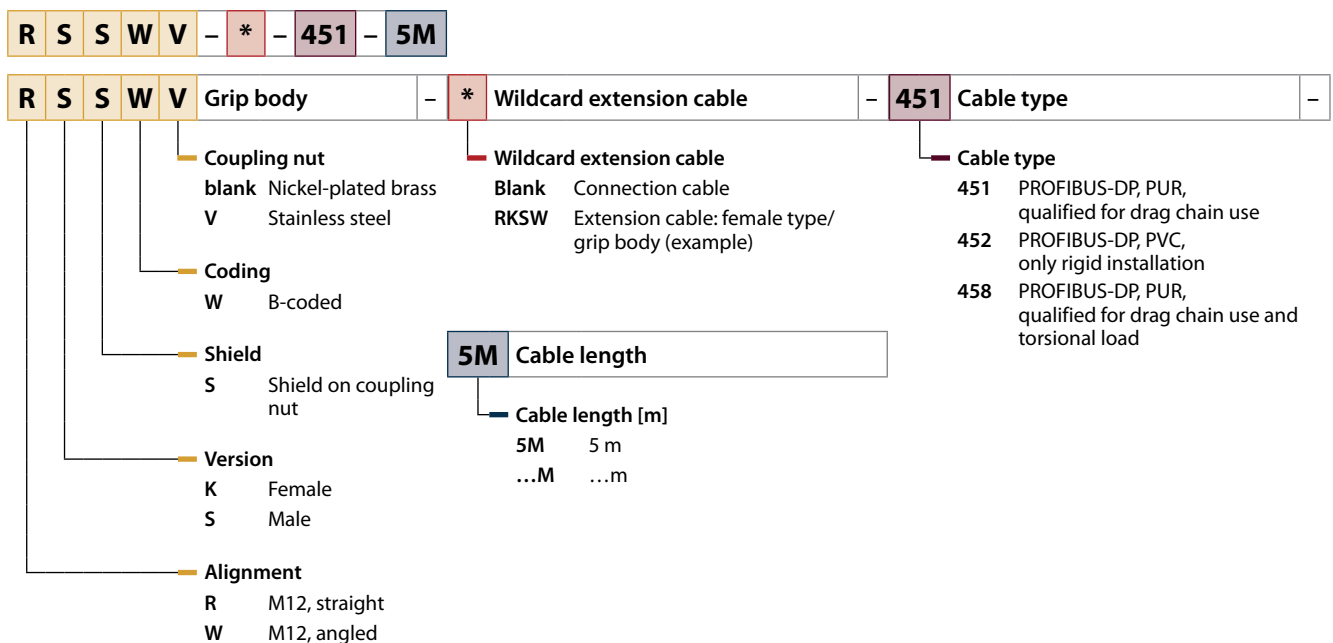
## Ethernet – M12 and RJ45 – Connection and Extension Cables



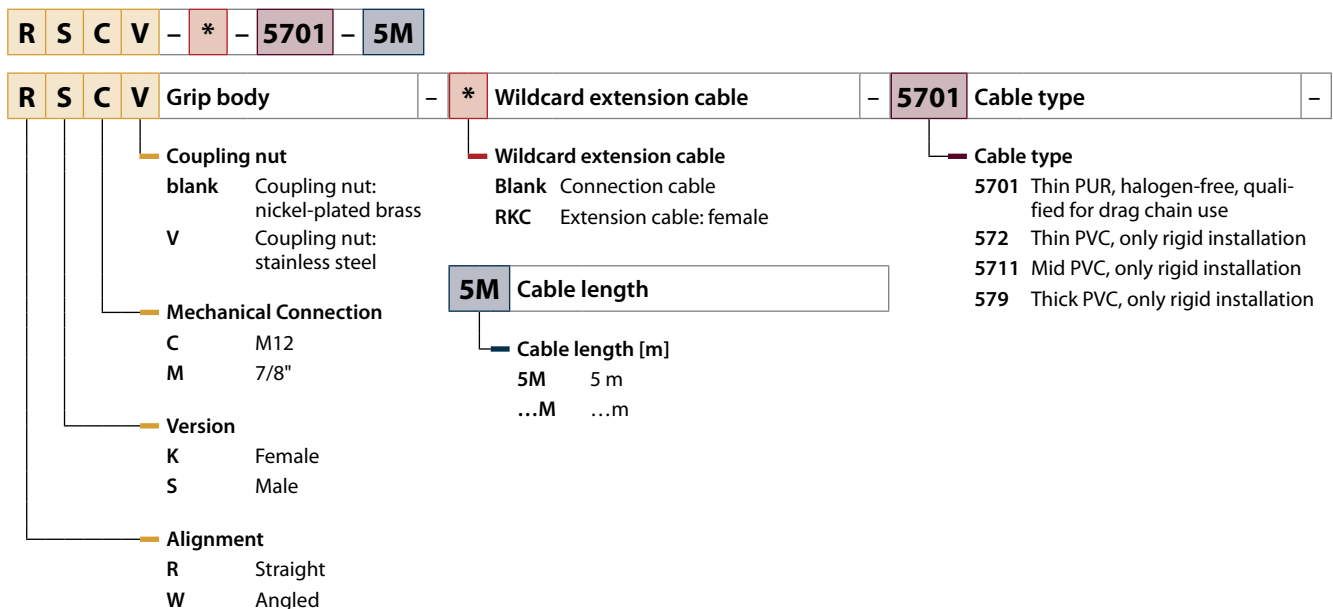
## BL ident – RFID Connection Cables



## PROFIBUS-DP – Connection and Extension Cables



## DeviceNet – Connection and Extension Cables



## Sensor/Actuator-Box – Homerun Cable

**TB** - **8** **M12** **V** - **5** **P** **3** - **5** - **CSM19** / **TXL**

<b>TB</b>	Product series	-	<b>8</b>	<b>M12</b>	<b>V</b>	Ports	-	<b>5</b>	<b>P</b>	<b>3</b>	Assignment	-
	Junction box					<ul style="list-style-type: none"> <li>Material threaded sleeve                             <ul style="list-style-type: none"> <li>Blank Nickel-plated brass</li> <li>V Stainless steel</li> </ul> </li> <li>Connector                             <ul style="list-style-type: none"> <li>M12 M12 × 1</li> </ul> </li> <li>Number of ports                             <ul style="list-style-type: none"> <li>4 4 ports</li> <li>6 6 ports</li> <li>8 8 ports</li> </ul> </li> </ul>				<ul style="list-style-type: none"> <li>Number of LEDs (if available)                             <ul style="list-style-type: none"> <li>2 1 power + 1 signal LED/port</li> <li>3 1 power + 1 signal LED/port</li> </ul> </li> <li>LED                             <ul style="list-style-type: none"> <li>Blank Without LED</li> <li>P LED, PNP</li> <li>N LED, NPN</li> </ul> </li> <li>Singals per port                             <ul style="list-style-type: none"> <li>4 1 signal/port</li> <li>5 2 signals/port</li> </ul> </li> </ul>		

<b>5</b>	Cable length	-	<b>CSM19</b>	Connection	/	<b>TXL</b>	Special design
	Cable length <ul style="list-style-type: none"> <li>5 5 m</li> <li>... ...m</li> </ul>			<ul style="list-style-type: none"> <li>Injection-moulded connector (if available)                             <ul style="list-style-type: none"> <li>CSMV12 12-pin M23 (stainless steel)</li> <li>CSM19 19-pin M23 (Nickel-plated brass)</li> </ul> </li> </ul>			<ul style="list-style-type: none"> <li>Special design                             <ul style="list-style-type: none"> <li>TXL PUR, black, halogen-free</li> <li>CS... Customer specific</li> </ul> </li> </ul>

## Sensor/Actuator-Box – Connector

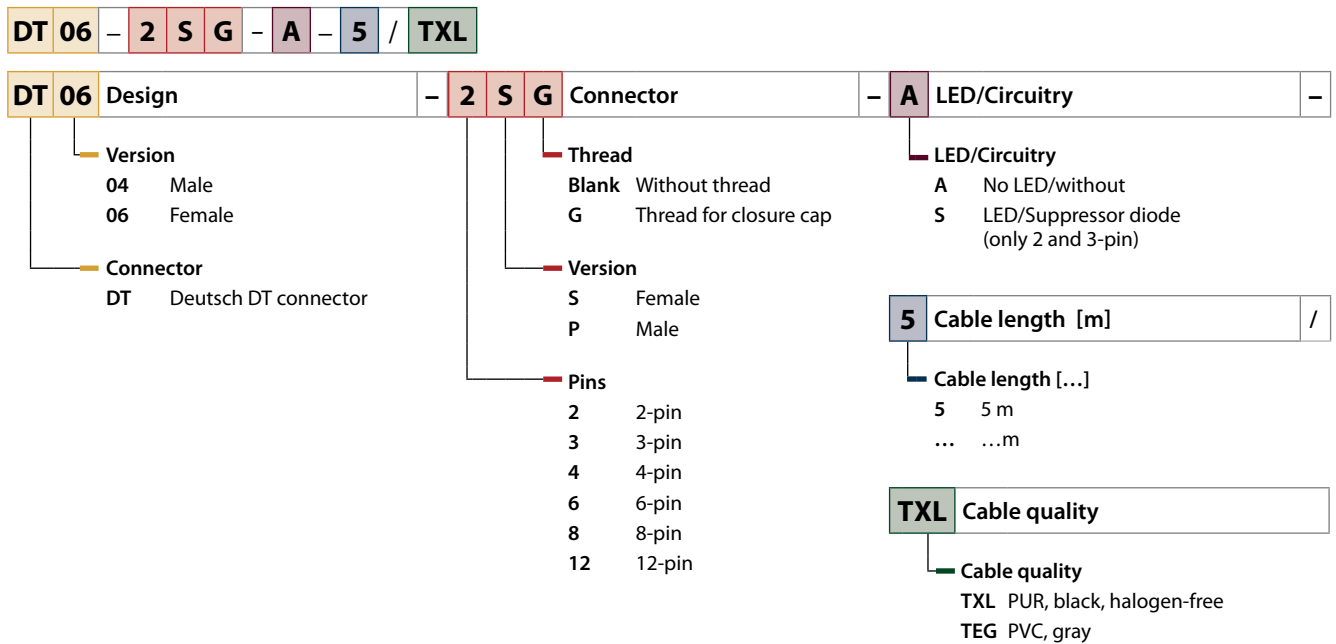
**TB** - **8** **M12** **V** - **5** **P** **3** - **CS19** **T**

<b>TB</b>	Product series	-	<b>8</b>	<b>M12</b>	<b>V</b>	Ports	-	<b>5</b>	<b>P</b>	<b>3</b>	Assignment	-
	Junction box					<ul style="list-style-type: none"> <li>Material threaded sleeve                             <ul style="list-style-type: none"> <li>Blank Nickel-plated brass</li> <li>V Stainless steel</li> </ul> </li> <li>Connector                             <ul style="list-style-type: none"> <li>M12 M12 × 1</li> </ul> </li> <li>Number of ports                             <ul style="list-style-type: none"> <li>4 4 ports</li> <li>6 6 ports</li> <li>8 8 ports</li> </ul> </li> </ul>				<ul style="list-style-type: none"> <li>Number of LEDs (if available)                             <ul style="list-style-type: none"> <li>2 1 power + 1 signal LED/port</li> <li>3 1 power + 1 signal LED/port</li> </ul> </li> <li>LED                             <ul style="list-style-type: none"> <li>Blank Without LED</li> <li>P LED, PNP</li> <li>N LED, NPN</li> </ul> </li> <li>Singals per port                             <ul style="list-style-type: none"> <li>4 1 signal/port</li> <li>5 2 signals/port</li> </ul> </li> </ul>		

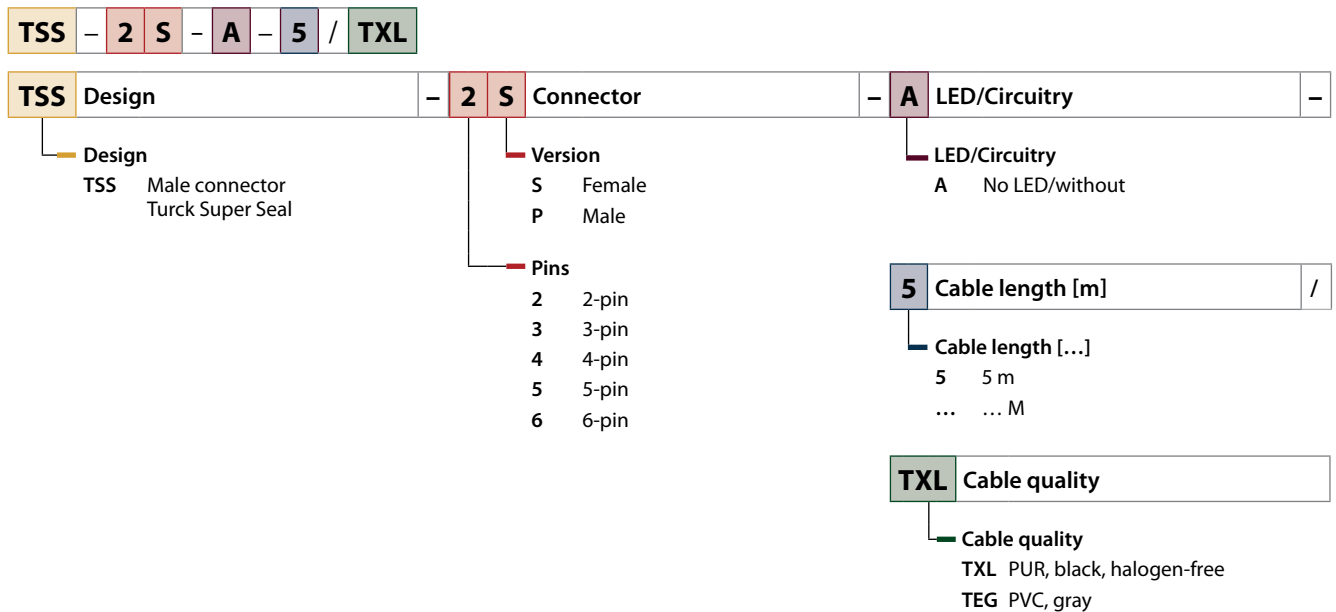
<b>CS19</b>	<b>T</b>	Connection
		<ul style="list-style-type: none"> <li>Port output                             <ul style="list-style-type: none"> <li>T Top</li> <li>H Side</li> </ul> </li> <li>Port                             <ul style="list-style-type: none"> <li>CSV12 12-pin M23 (stainless steel)</li> <li>CS19 19-pin M23 (nickel-plated brass)</li> <li>CSV19 19-pin M23 (stainless steel)</li> </ul> </li> </ul>



## Deutsch DT Series – Connection and Extension Cables



## Super-Seal Series – Connection Cables



# M12 – Power – Connection and Extension Cables

**R K P 46 - PT - \* - /S...**

**R K P 46** Grip body - **PT** Coding - **\*** Cable length -

**Terminal cross-section**

- 44** 4 × 14 AWG, 4 × 2.5 mm<sup>2</sup>
- 46** 4 × 16 AWG, 4 × 1.5 mm<sup>2</sup>
- 54** 5 × 14 AWG, 5 × 2.5 mm<sup>2</sup>
- 56** 5 × 16 AWG, 5 × 1.5 mm<sup>2</sup>

**Coupling nut**

- Blank** Nickel-plated brass
- V** Stainless steel

**Housing**

- P** Plastic housing
- S** Shielded

**Version**

- K** Female
- S** Male

**Alignment**

- R** M12, straight
- W** M12, angled

**Color coding**

- Blank** Same color coding for North America and Europe
- E** Color coding for Europe type E
- B** Color coding for Europe type B

**Coding<sup>1</sup>**

- PK** Power, K-coded
- PL** Power, L-coded
- PS** Power, S-coded
- PT** Power, T-coded

**Cable length [m]**

**Wildcard extension cable** - **/S...** **Special design** -

**Wildcard extension cable**

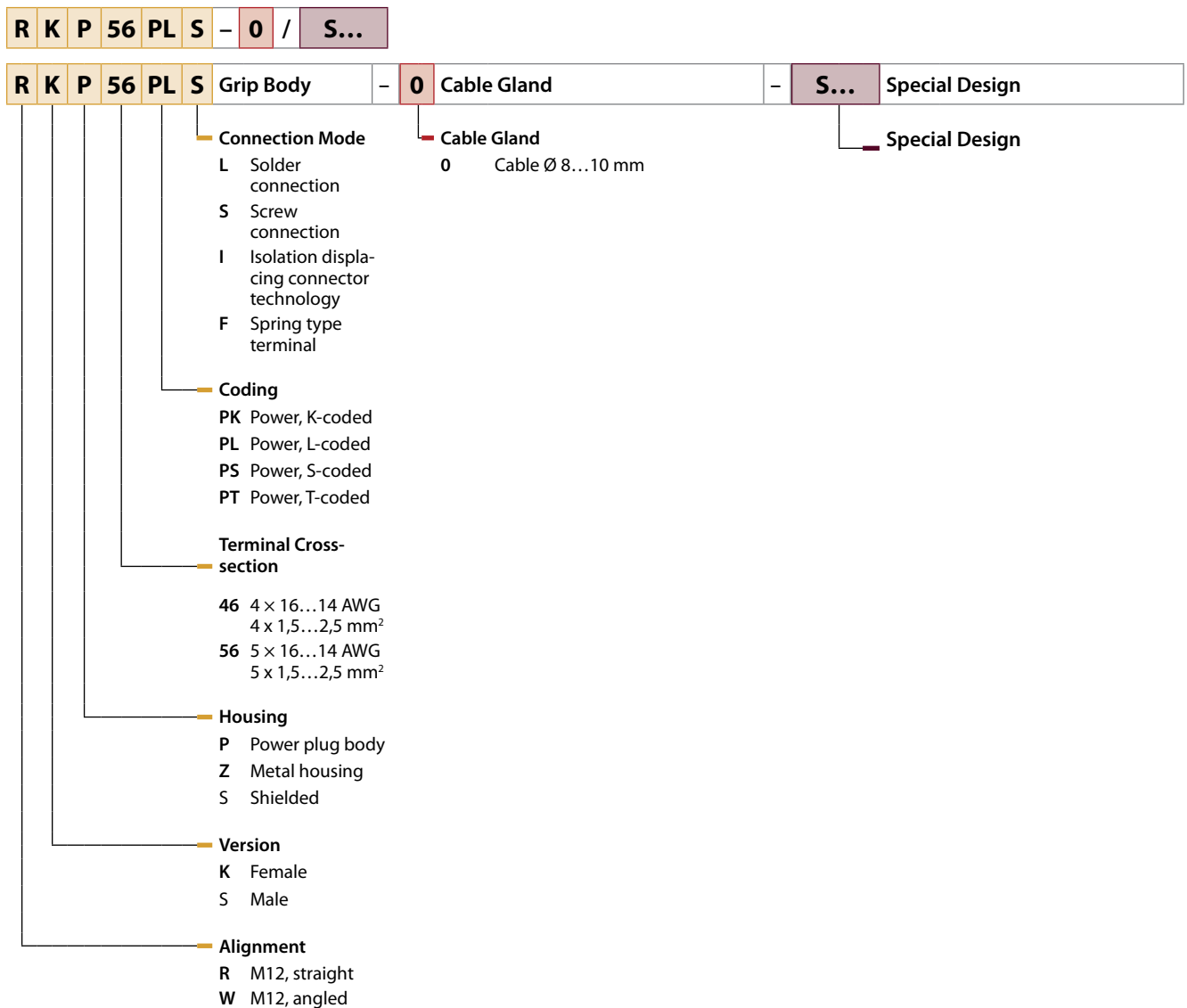
- Blank** Connection cable
- RSP46-PT** Extension cable, connector type and coding (example), see Grip body and Coding

**Special design**

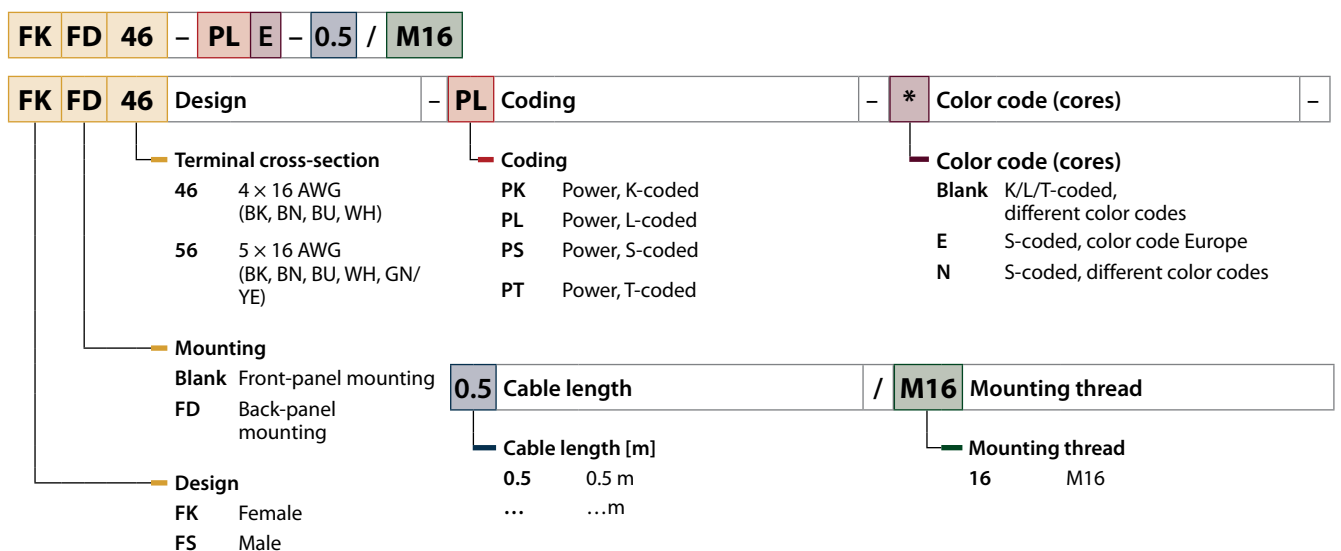
- Blank** PVC
- /S, /CS** Special design
- /TXL** PUR, black, halogen-free

<sup>1</sup> Coding			
K	L	S	T
1 = BK 1	1 = BN	1 = BK 1	1 = BN
2 = BK 2	2 = WH	2 = BK 2	2 = WH
3 = BK 3	3 = BU	3 = BK 3	3 = BU
4 = BK 4	4 = BK	-	4 = BK
PE = GN/YE	PE = GN/YE	PE = GN/YE	

## M12 – Power – Field-wireable Connectors



## M12 – Power – Receptacles



# TURCK

Over 30 subsidiaries and  
60 representatives worldwide!

100000176 | 2019/10



[www.turck.com](http://www.turck.com)