

The Combi-Solution for Hire Equipment and Machinery



MID approval - pending

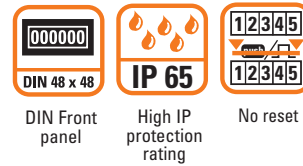
Energy and Time meters HW 66

Dual function energy and hour meters

- **Innovative:** unique combination of devices
- **Informative:** simultaneous display of both time and energy consumption
- **Safe and accurate:** tamper-proof, can be calibrated

■■■ pulses for automation

Dual function energy and hour meter HW 66



MID approval - pending

Innovative:

- Metering of energy and hours run consumption in one compact device
- Wide temperature range
- Panel mounting
- Remote readout via SO outputs on request

Informative:

- Shows both values in parallel
- Can also be read if no voltage present
- 2 x 6-digit easy-to-read display

Safe and accurate:

- Tamper-proof fixed installation
- High measuring accuracy
- Can be officially calibrated
- High degree of protection

Characteristics:

General

Supply voltage:	115/230 V AC, -20 % / +15 % 50 or 60 Hz
Digits:	2 x 6 digit (single units digit red)
Height of figures (optical):	4 x 1,7 mm
Colour of figures:	white and red, black ground
Temperature range:	-20 °C to +55 °C
Storage temperature:	-25 °C to +65 °C
Housing:	DIN panel-mount 48 x 48 mm, depth 55 mm
Protection:	IP 65, DIN 60529 front
Connections:	touch-safe, max. core cross-section 2,5 mm ²
Connections (SO output):	touch-safe, max. core cross-section 1,0 mm ²
LED function:	LED ON, when power supply is connected LED blinks, when energy is being measured

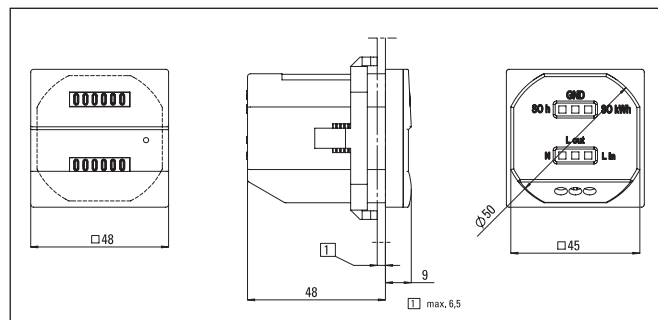
Energy meter

Accuracy:	Class B, acc. to MID (for 50 Hz version)
Current:	I _B = 5 A, I _{max} = 16 A
Current limits:	≥ 20 mA up to 16 A
Start current:	≥ 20 mA
SO output:	1000 pulses per kWh, 5 ... 30 V DC, I _{max} = 20 mA
Standard:	EN62052-11, EN62053-21

Hour meter

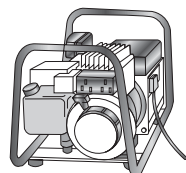
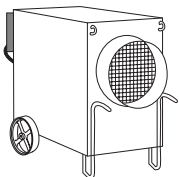
Accuracy:	± 2 %
SO output:	10 pulses/h, 5 ... 30 V DC, I _{max} = 20 mA

Dimensions:



Applications:

- Dehumidifiers
- Hire equipment and machinery
- Air-conditioning
- Production equipment



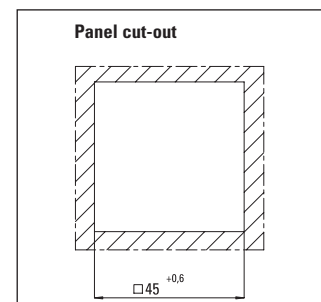
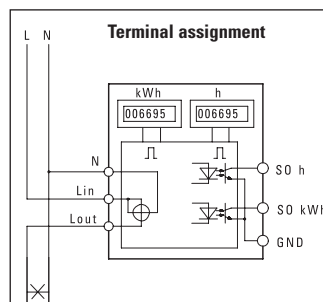
Retro- or standard fitting in dehumidifiers, current generators etc. for the accurate, traceable billing of operating and energy costs

Order codes:

HW 66, 230 V AC 3.563.201.075
HW 66, 115 V AC 3.563.201.074

Delivery includes:

Counter
Gasket
Mounting clip



Further counters from the Kübler range

Electromech. Hour Meter H 57



5 Jahre / years
Gewährleistung / warranty
Made in Germany by Kübler

UL US



The standard hour meter with 48 x 48 mm front bezel

- 7 or 8 digit hour meter
- High shock and impact resistance
- Without reset, small dimensions
- Optically large figures
- Protection rating IP 52, any mounting position
- DIN front bezel 48 x 48 mm
- AC or DC supply voltage

Electromech. Hour Meter H 37



5 Jahre / years
Gewährleistung / warranty
Made in Germany by Kübler

UL US



The standard hour meter with 48 x 24 mm front bezel

- 7 or 8 digit hour meter
- Without reset, high shock resistance
- Small dimensions, optically large figures,
- Protection rating IP 65 (front)
- DIN front bezel 48 x 24 mm
- AC or DC supply voltage

Electromech. Hour Meter SH 17



Hour meter for DIN-rail mounting to EN 50002

- 7-digit hour meter
- AC or DC supply voltage
- Quartz-controlled
- Easy to mount on DIN rail
- Easy to connect thanks to screw terminals
- Protection rating IP65 (front)

LCD Timer CODIX 134



UL US



Electronic hour meter

- Large 8-digit LCD display with 8 mm high figures
- Optional backlighting of the display
- Various time ranges, hours with minutes or industrial minutes.
1 pulse = 36 seconds
- Very high accuracy of 100 ppm
- Protection rating IP 65

Metering of energy consumption and hours run in one device



The innovative idea from Kübler: energy and time meter in combination

HW 66 with electromechanical count mechanism, for fixed installation

For correct costing and billing

Both dual function energy and hour meters were specially designed to permit accurate, traceable billing for hire equipment and machinery. This then makes particular sense, if the equipment uses a lot of energy and/or if the account is being settled via insurance. This is because a piece of equipment does not always run at full speed, so that a pure hours-run meter would not accurately reflect the actual costs.

Safe and accurate

The meters can be officially calibrated and deliver exact measurement results. The HW 66 is fully tamper-proof and displays both values even if no voltage is applied. This complies with PTB standards.
MID approval - pending.

Remote readout possible

KWh and time can be read out remotely thanks to an SO output.

Easy to retrofit

The HW 66 is identical in construction to existing hours-run meters and is therefore very easy to retrofit.

